

Please note that the data given here has been taken from the online catalog. For comprehensive information and data, please refer to the user documentation at <http://www.download.phoenixcontact.com>. The General Terms and Conditions of Use apply to Internet downloads.

► Extract from the online catalog



Analog /digital module for 2 digital inputs/outputs and
1 analog input/output

Order No.	2867322
Ord designation	RAD-IN+OUT-2D-1A-I
EAN	4017918960636
Pack	1 Pcs.
Customs tariff	85177090
Weight/Piece	0.1893 KG
Catalog page information	Page 519 (IF-2007)

► Technical data

Analog input

Description of the input	Current input
Current input signal	4 mA ... 20 mA
Input resistance current input	< 170 Ω

Analog output

Output name	Current output
Load/output load current output	700 Ω (at $U_B = 24 \text{ V}$, $R_B = [U_B - 10 \text{ V}] / 20 \text{ mA}$)

Digital input

Input voltage range	5 V AC/DC ... 30 V AC/DC
---------------------	--------------------------

RAD-IN+OUT-2D-1A-I



Switching threshold "0" signal, voltage
Switching threshold "1" signal voltage

Max. 1.5 V DC
Min. 5 V DC

Digital output

Output name	Relay output
Number of outputs	2
Maximum switching voltage	30 V AC/DC (EC Declaration of Conformity)
Maximum switching voltage	30 V DC (With UL approval)
Maximum switching voltage	250 V AC (With UL approval)
Limiting continuous current	0.5 A (EC Declaration of Conformity)

General data

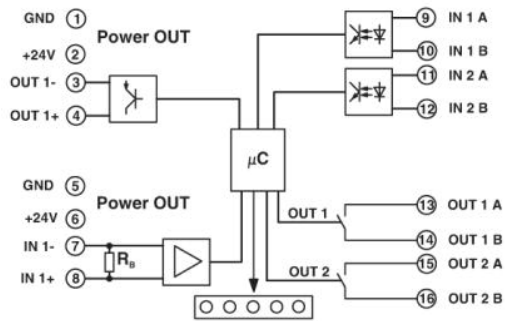
Ambient temperature (operation)	-20 °C ... 65 °C
Ambient temperature (storage/transport)	-40 °C ... 85 °C
Degree of protection	IP20
Installation position	Any
Assembly instructions	on TS 35 profile rail acc. to EN 60715
Housing material	Polyamide PA non-reinforced
Length	99 mm
Width	22.5 mm
Height	114.5 mm
Conformance	CE compliance
ATEX approval	II 3 G Ex nAC IIC T5 X
IECEX approval	Ex nL IIC T5
UL, USA / Canada	Class I, Div. 2, Groups A, B, C, D

Connection data

Conductor cross section solid min.	0.2 mm ²
Conductor cross section solid max.	4 mm ²
Conductor cross section stranded min.	0.2 mm ²
Conductor cross section stranded max.	2.5 mm ²
Conductor cross section AWG/kcmil min.	24
Conductor cross section AWG/kcmil max.	14
Type of connection	Screw connection
Stripping length	8 mm
Screw thread	M 3

► Drawings

Block diagram



Logo



Ex n



► Address

PHOENIX CONTACT GmbH & Co. KG
Flachsmarktstr. 8
32825 Blomberg
Germany
Phone +49 5235 3 00
Fax +49 5235 3 41200
<http://www.phoenixcontact.de>
Phoenix Contact
Technical modifications reserved;